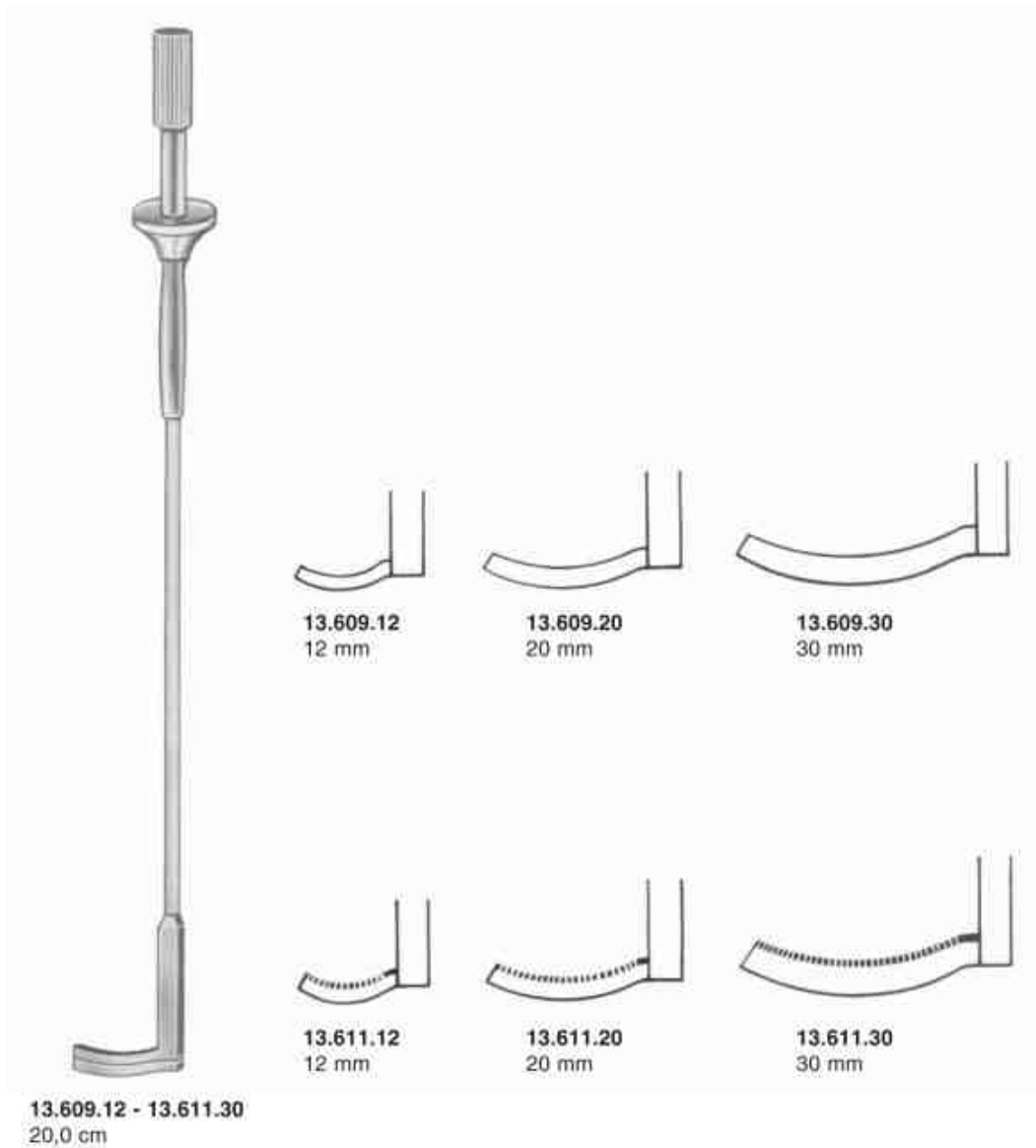


Flexible Gefäßklemmen
Flexible Vessel Clamps
Pincas vasculaires flexibles
Pinzas vasculares flexibles
Pinze vascolari flessibili

PROFIT[®]
Surgical Instruments

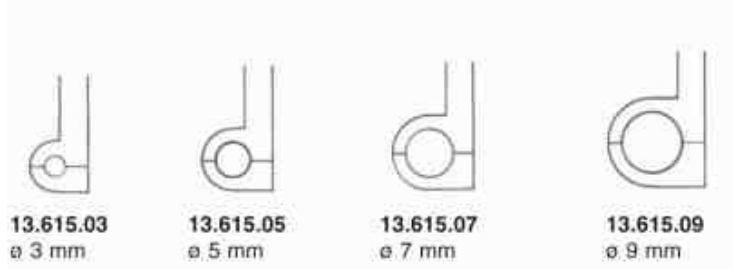


Flexible Gefäßklemmen
Flexible Vessel Clamps
Pinces vasculaires flexibles
Pinzas vasculares flexibles
Pinze vascolari flessibili

PROFIT[®]
Surgical Instruments



13.615.03 - 13.615.09



13.615.03
ø 3 mm

13.615.05
ø 5 mm

13.615.07
ø 7 mm

13.615.09
ø 9 mm