

Wundhaken
Retractors
Ecarteurs
Separadores
Divaricatori

PROFIT[®]
Surgical Instruments

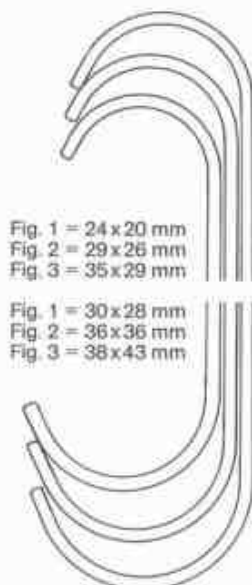
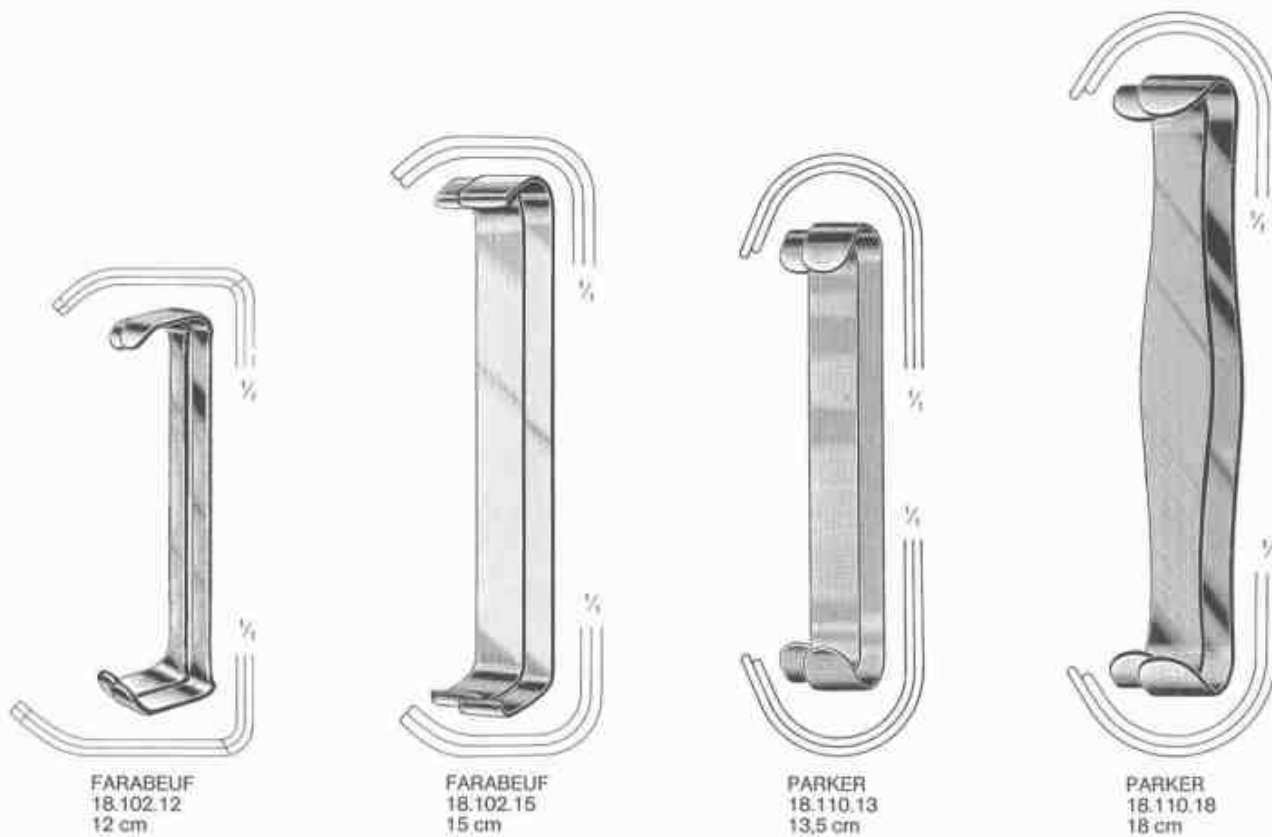


Fig. 1 = 24 x 20 mm
Fig. 2 = 29 x 26 mm
Fig. 3 = 35 x 29 mm

Fig. 1 = 30 x 28 mm
Fig. 2 = 36 x 36 mm
Fig. 3 = 38 x 43 mm

ROUX		Fig.	cm
18.120.00	18.120.14	1	14
	18.120.15	2	15
	18.120.17	3	17



ROUX Baby
18.122.13
13 cm



ROUX mini
18.124.15
15 cm



CRILE
18.127.11
11,5 cm

Wundhaken
 Retractors
 Ecarteurs
 Separadores
 Divaricatori

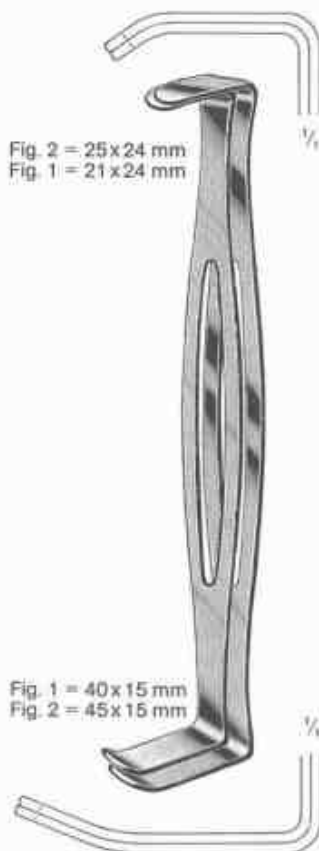


Fig. 2 = 25 x 24 mm
 Fig. 1 = 21 x 24 mm

Fig. 1 = 40 x 15 mm
 Fig. 2 = 45 x 15 mm

US Army (PARKER-LANGENBECK)
 18.131.21
 21 cm



Fig. 2 = 47 x 13 mm
 Fig. 1 = 42 x 13 mm

Fig. 1 = 42 x 26 mm
 Fig. 2 = 46 x 26 mm

MATHIEU
 18.134.20
 20 cm



37 x 40 mm

GOLET
 18.135.19
 19 cm



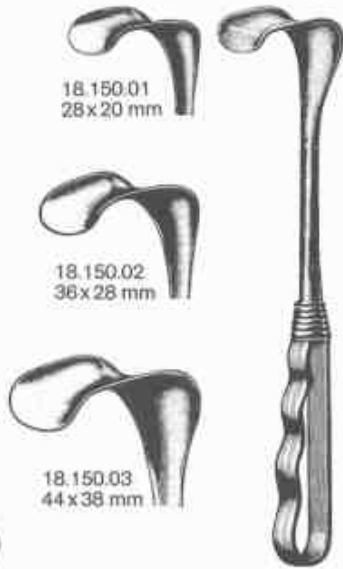
52 x 33 mm

COLLIN-HARTMANN
 18.137.16
 16 cm

Wundhaken
Retractors
Ecarteurs
Separadores
Divaricatori



RICHARDSON-EASTMAN
18.140.00



18.150.01
28x20 mm

18.150.02
36x28 mm

18.150.03
44x38 mm

RICHARDSON



RICHARDSON Grip
18.152.25 20x25 mm
18.152.31 25x31 mm
18.152.38 38x38 mm
18.152.51 19x51 mm (Append.)
18.152.64 41x64 mm

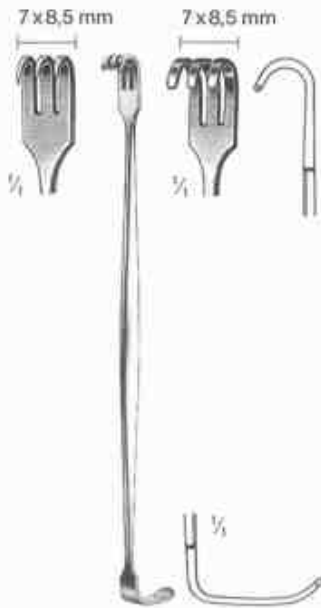


65 x 50 mm

KELLY
18.156.26
28 cm



KELLY Grip
18.158.51 38x51 mm
18.158.64 51x64 mm
18.158.76 64x76 mm
18.158.82 70x82 mm



SENN
18.160.17 17 cm 18.161.17



RIBBON
18.168.12 12x200mm
18.168.17 17x200mm
18.168.25 25x250mm



RIBBON
18.170.25 25x330
18.170.32 32x330
18.170.40 40x330
18.170.50 50x330



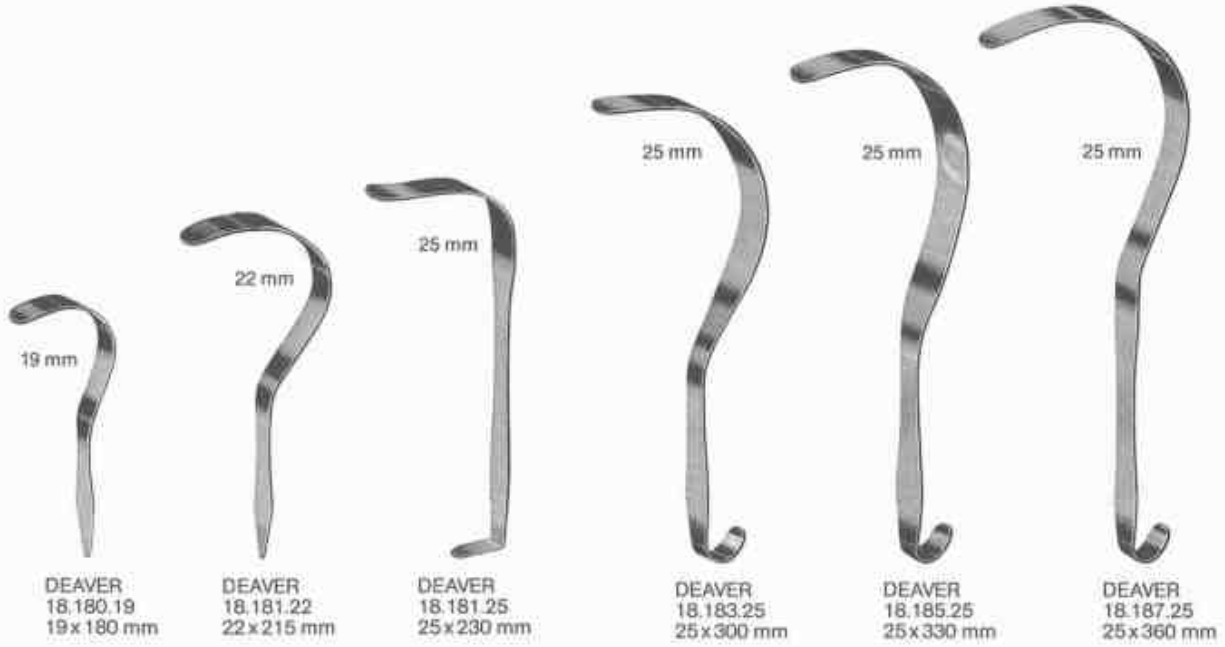
HABERER
18.174.17 17/25x200 mm
18.174.25 25/30x250 mm
18.174.37 37/45x300 mm



REVERDIN
18.175.28
28 cm

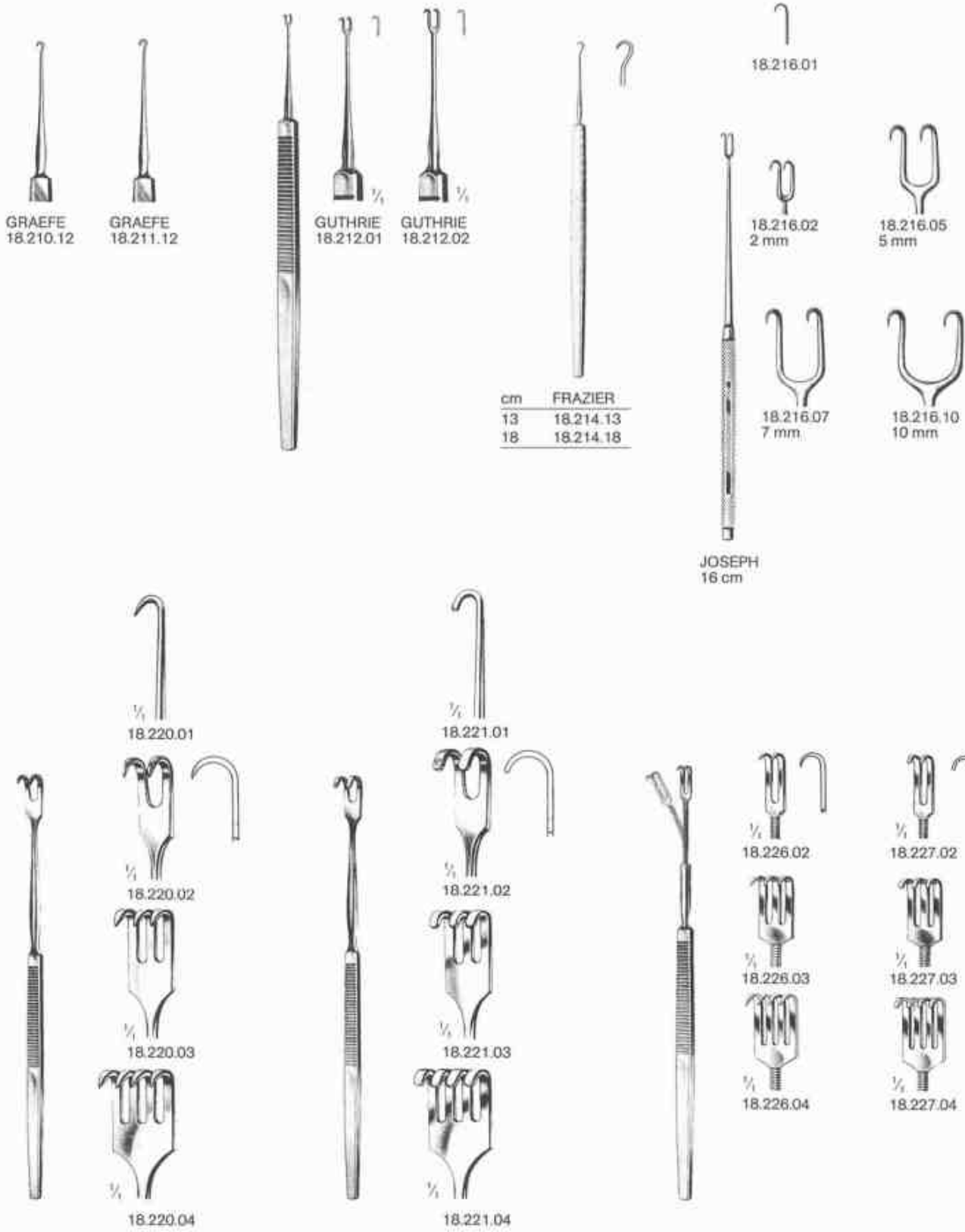
Wundhaken
Retractors
Ecarteurs
Separadores
Divaricatori

PROFIT[®]
Surgical Instruments



Wundhaken
Retractors
Ecarteurs
Separadores
Divaricatori

PROFIT[®]
Surgical Instruments



Wundhaken
Retractors
Ecarteurs
Separadores
Divaricatori

PROFIT[®]
Surgical Instruments



DESMARRES
16 cm



18.230.12
12 mm



18.230.14
14 mm



18.230.16
16 mm



18.230.18
18 mm



CUSHING
20 cm



18.232.08
8 mm



18.232.12
12 mm



18.232.16
16 mm



18.232.10
10 mm



18.232.14
14 mm



18.232.18
18 mm



CUSHING
18.234.20
20 cm



CUSHING
18.234.21
21,5 cm



SENN-GREEN
18.240.10 10x6 mm
18.240.20 20x6 mm



10x6 mm

20x6 mm



VOLKMANN
11.5 cm



18.270.02

18.270.03

18.270.04

18.270.06

18.271.02

18.271.03

18.271.04

18.271.06

Wundhaken
 Retractors
 Ecarteurs
 Separadores
 Divaricatori

PROFIT[®]
 Surgical Instruments



VOLKMANN
 21.5 cm



18.280.01



18.280.02



18.280.03



18.280.04



18.280.06



18.281.01



18.281.02



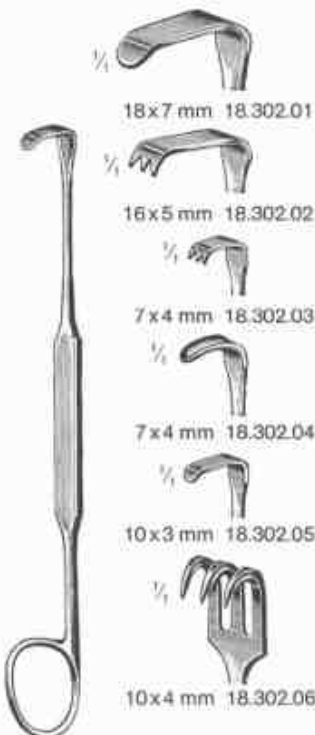
18.281.03



18.281.04



18.281.06



MEYERDING
 18 cm



18x7 mm 18.302.01



16x5 mm 18.302.02



7x4 mm 18.302.03



7x4 mm 18.302.04



10x3 mm 18.302.05



10x4 mm 18.302.06



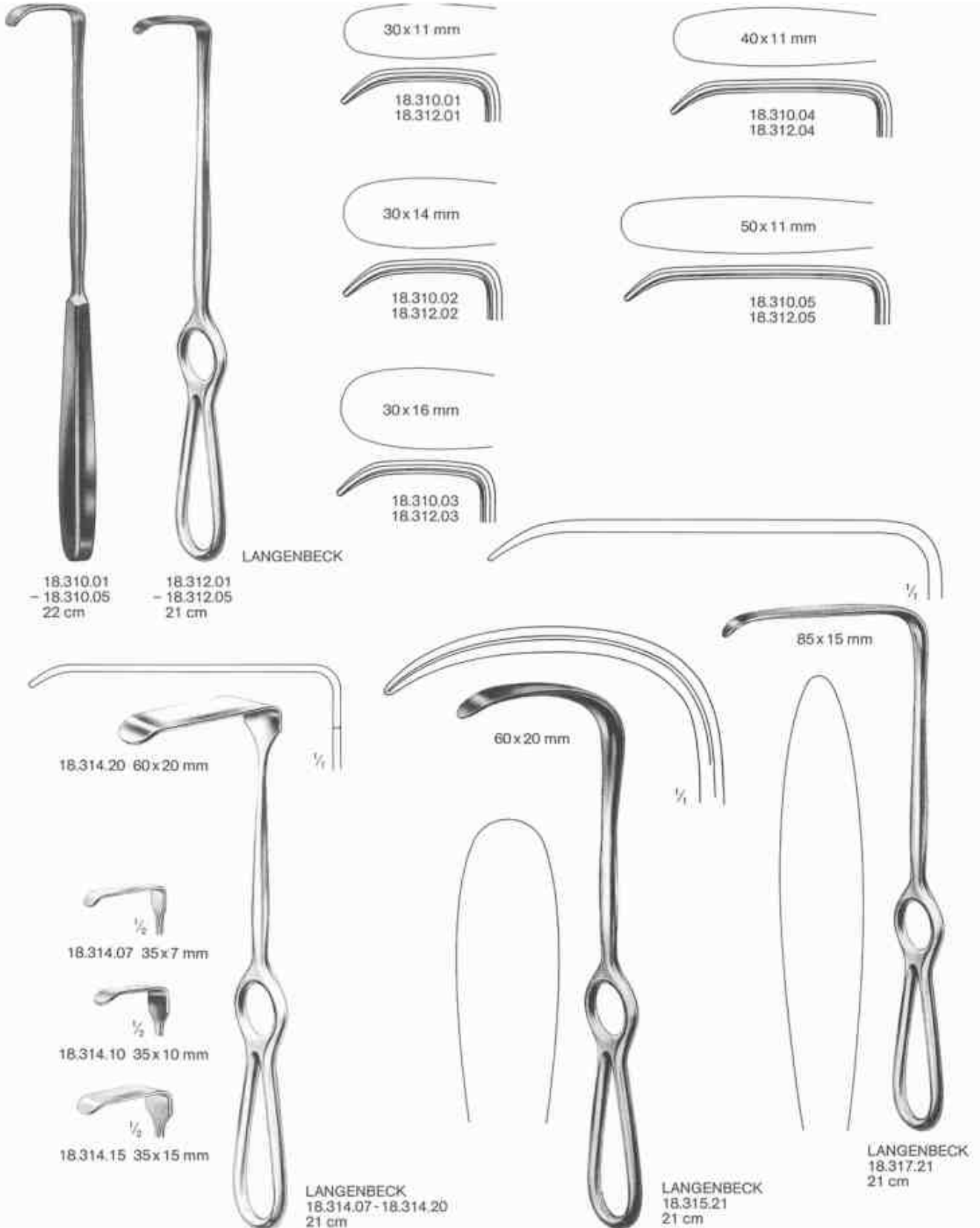
LAHEY
 18.304.19
 19 cm



LITTLE
 18.306.20
 20 cm

Wundhaken
 Retractors
 Ecarteurs
 Separadores
 Divaricatori

PROFIT[®]
 Surgical Instruments



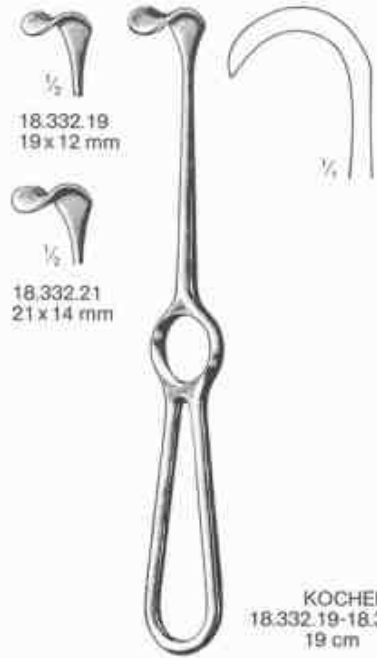
Wundhaken
 Retractors
 Ecarteurs
 Separadores
 Divaricatori



KOCHER
 18.318.40-18.318.78
 23 cm



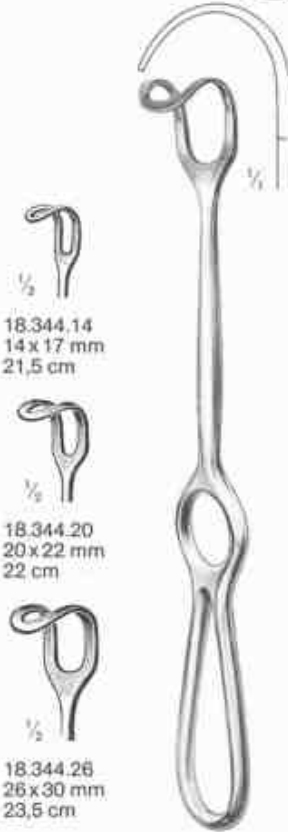
KOCHER
 18.330.40-18.330.55
 19 cm



KOCHER
 18.332.19-18.332.21
 19 cm



KOCHER	mm
18.340.10	40 x 10
18.340.15	40 x 15
18.340.20	40 x 20
22 cm	



MIDDELDORPF
 18.344.14-18.344.26



GREEN
 18.348.22
 22 cm



OLLIER
 18.360.04
 22,5 cm

Wundhaken
Retractors
Ecarteurs
Separadores
Divaricatori

PROFIT[®]
Surgical Instruments



18.364.40 40x40 mm



18.364.50 45x50 mm



18.364.60 50x60 mm



18.364.70 70x70 mm

ISRAEL
25 cm

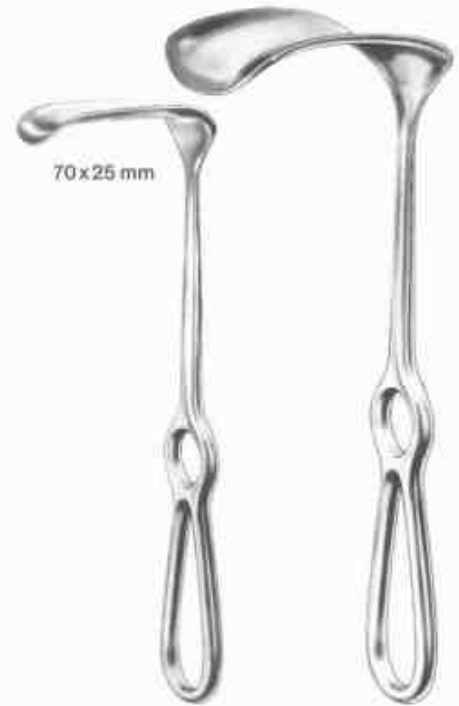


40x30 mm

— KOERTE —
18.366.08 23,5 cm 18.367.08



FRITSCH mm
18.370.40 45x40
18.370.50 45x50
18.370.60 45x60
18.370.75 45x75
24 cm



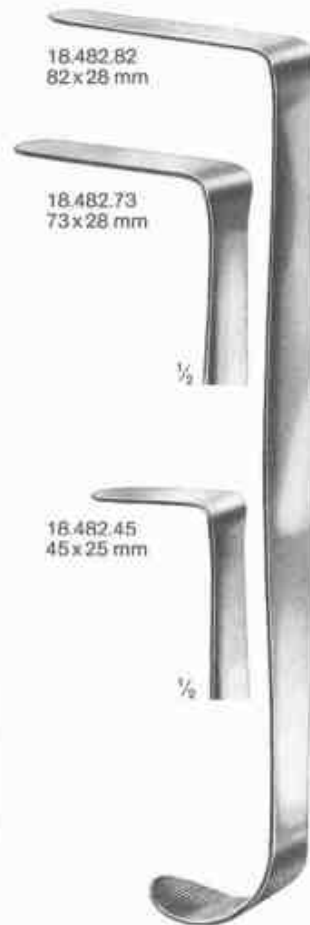
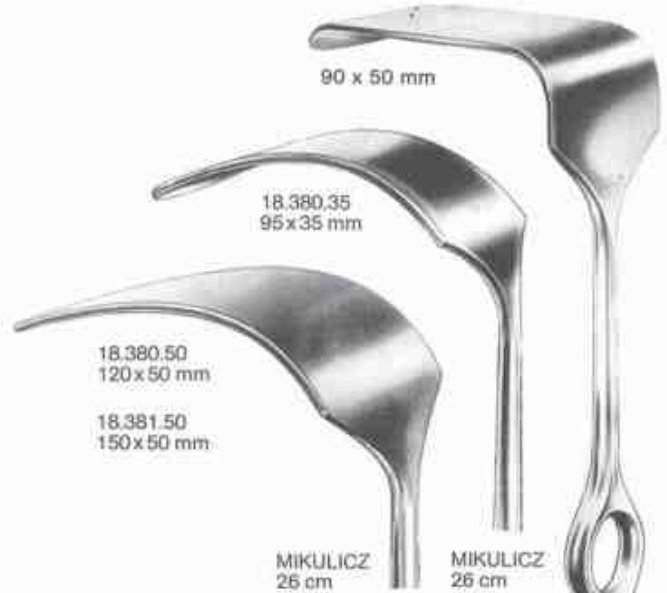
70x25 mm

KOCHER
18.372.22
22,5 cm

KOCHER mm
18.374.45 80x45
18.374.55 80x55
18.374.65 80x65
25 cm

Wundhaken
Retractors
Ecarteurs
Separadores
Divaricatori

PROFIT[®]
Surgical Instruments



MIKULICZ
18.382.50
26 cm

mm	KELLY
160 x 38	18.385.38
160 x 57	18.385.57
	27 cm

SIMON	mm
18.480.22	115 x 22
18.480.27	115 x 27
	28 cm

HEANEY
18.482.45-18.482.82
27 cm

Wundhaken
 Retractors
 Ecarteurs
 Separadores
 Divaricatori

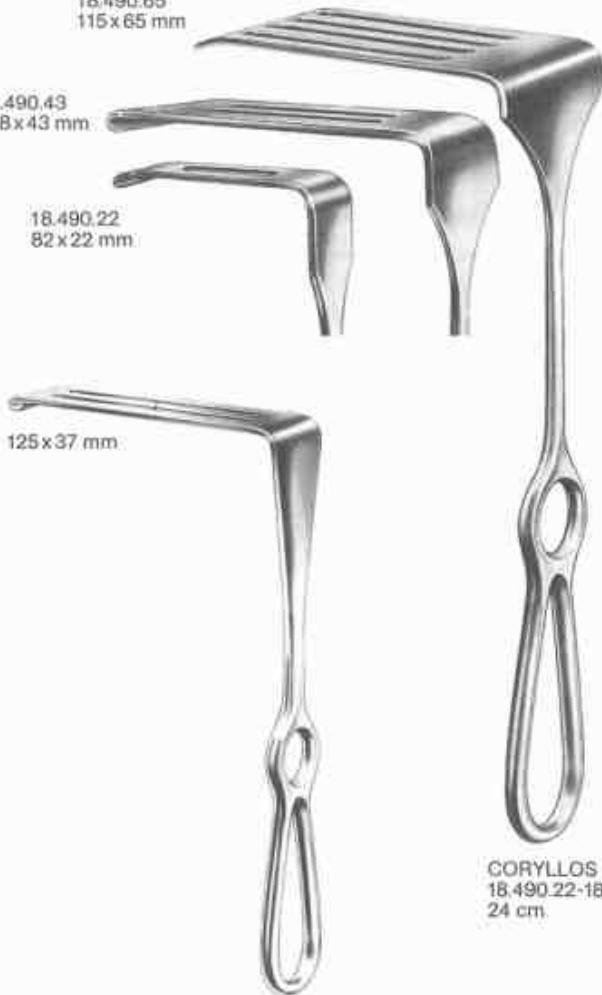
PROFIT[®]
 Surgical Instruments

18.490.65
 115 x 65 mm

18.490.43
 108 x 43 mm

18.490.22
 82 x 22 mm

125 x 37 mm



CORYLLOS (Thorax)
 18.490.22-18.490.65
 24 cm

18.494.45
 45 x 15 mm

18.494.60
 60 x 23 mm

18.494.75
 75 x 20 mm



SAUERBRUCH
 18.494.45-18.494.75
 22,5 cm

SAUERBRUCH
 18.492.25
 25 cm



DAVIDSON (Scapula)
 18.496.50
 75 x 50 mm



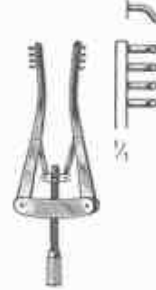
DAVIDSON (Scapula)
 18.496.90
 75 x 90 mm

Wundsperrer
Retractors
Ecarteurs
Separadores
Divaricatori

PROFIT[®]
Surgical Instruments



FINSEN
18.610.07 7 cm 18.611.07



ALM
18.620.07 7 cm 18.621.07
18.620.10 10 cm 18.621.10



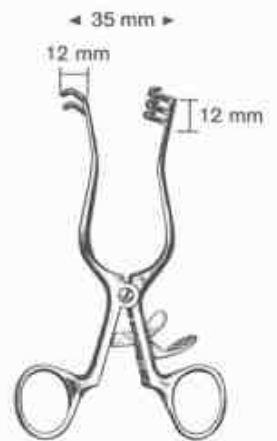
JANSEN
18.630.10
10 cm



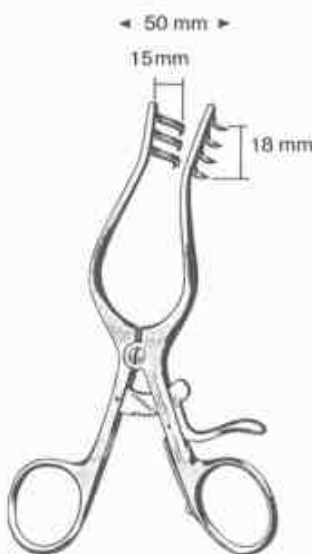
JANSEN
18.631.10
10 cm



DIMEDA
18.634.10 10 cm 18.635.10



WEITLANER
18.650.10 11,5 cm 18.651.10



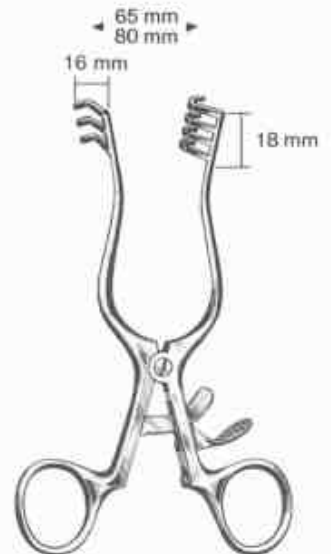
WEITLANER-WULLSTEIN
18.654.13 13 cm 18.655.13



PLESTER
18.657.11
11 cm



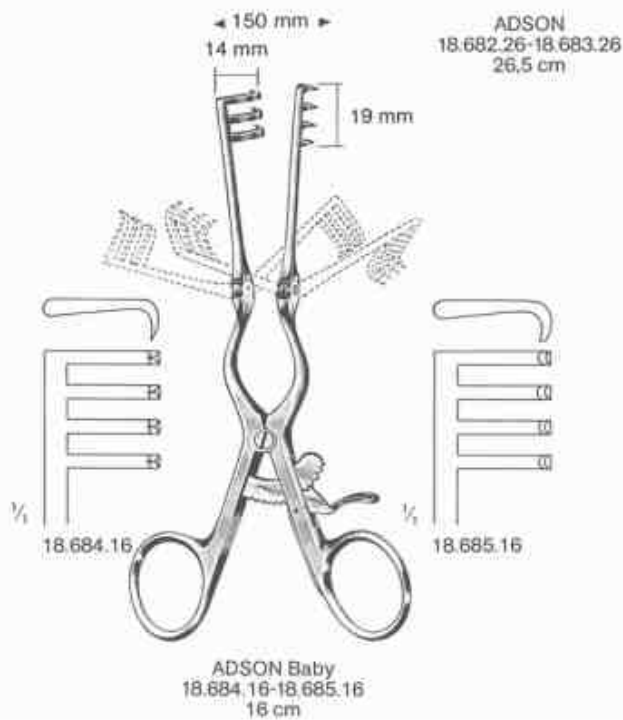
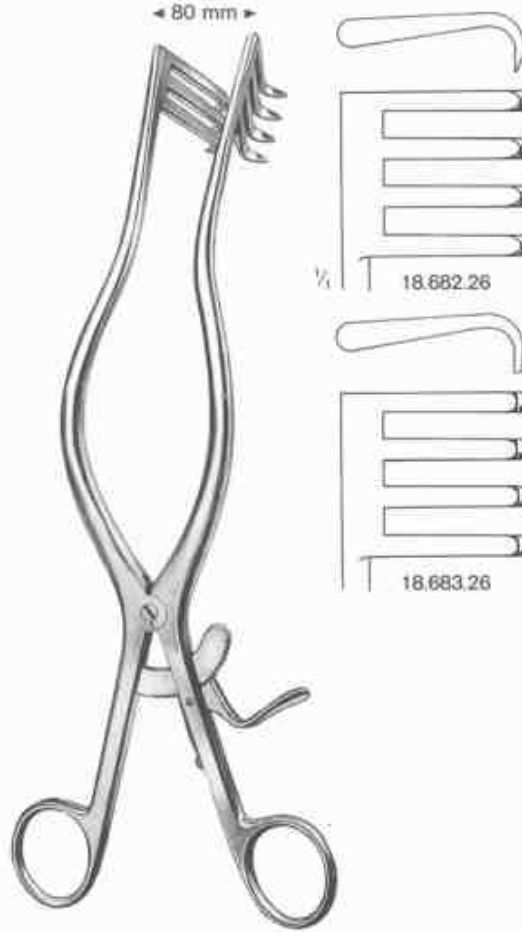
PLESTER
18.659.11
11 cm



WEITLANER
18.670.14 14,0 cm 18.671.14
18.670.16 16,5 cm 18.671.16
18.670.20 20,0 cm 18.671.20

Wundsperrer
Retractors
Ecarteurs
Separadores
Divaricatori

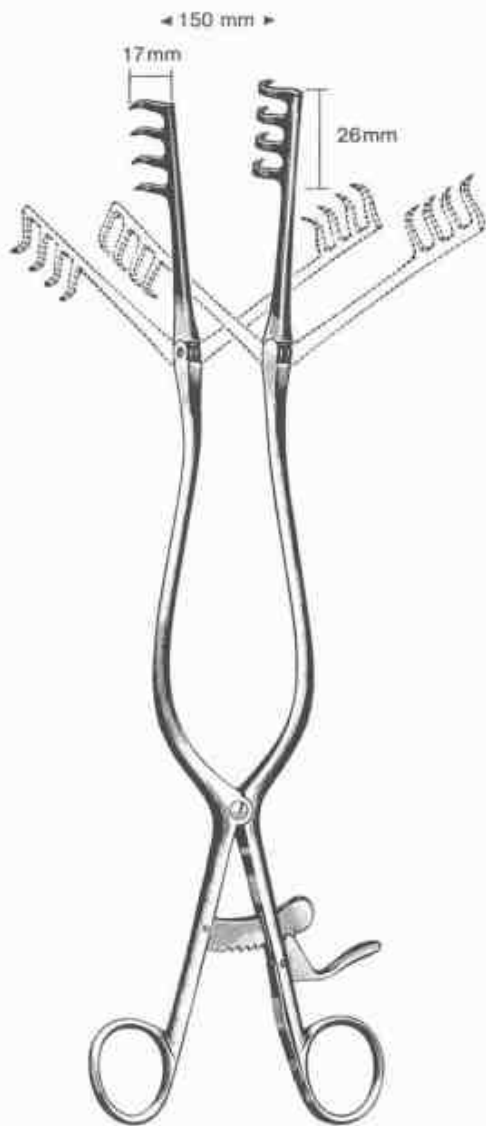
PROFIT[®]
Surgical Instruments



BECKMANN-ADSON
18.685.32
32 cm

Wundsperrer
Retractors
Ecarteurs
Separadores
Divaricatori

PROFIT[®]
Surgical Instruments



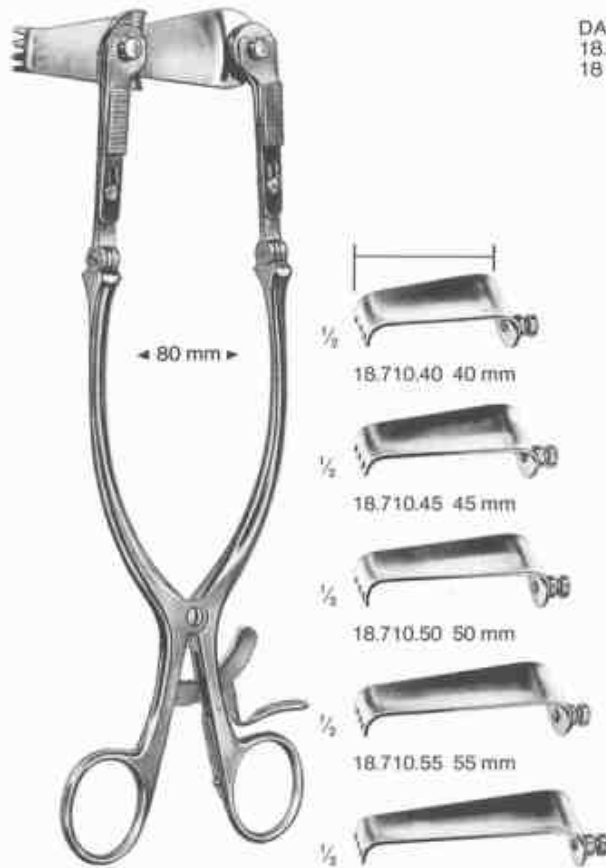
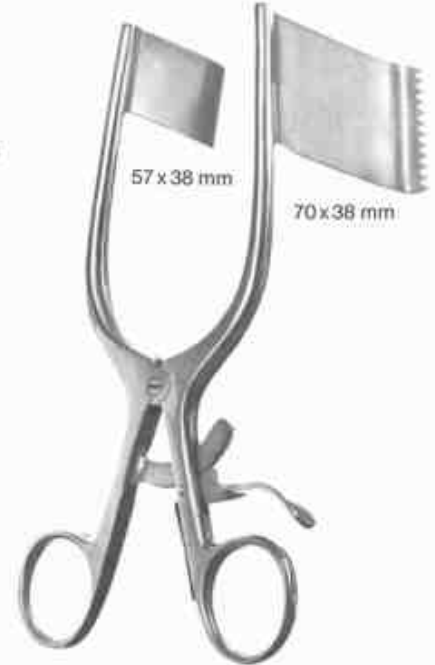
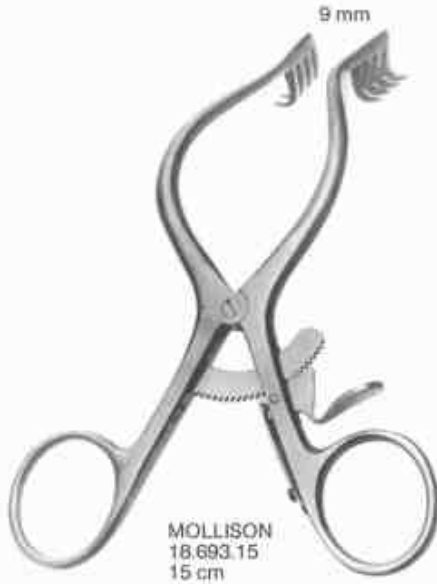
BECKMANN
18.690.31
31 cm



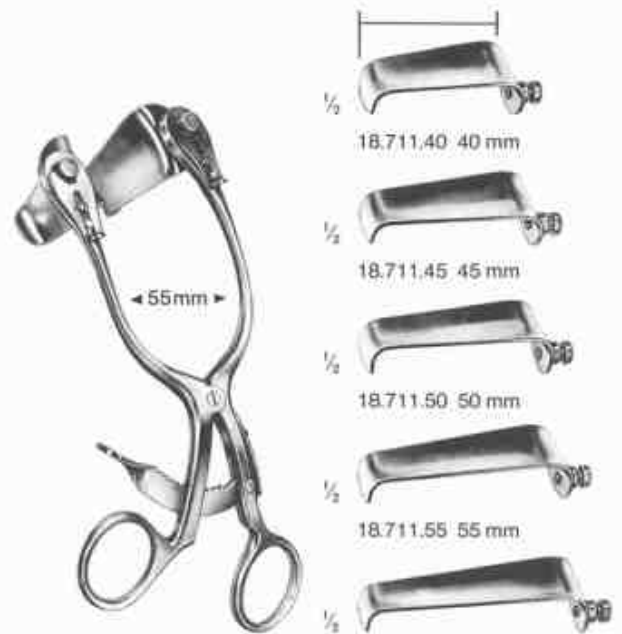
BECKMANN-EATON
18.692.32
32 cm

Wundsperrer
Retractors
Ecarteurs
Separadores
Divaricatori

PROFIT[®]
Surgical Instruments



CLOWARD
18.710.00
18.710.01 ohne Valven - without blades
sans valves - sin valvas - senza valve



CLOWARD
18.711.00
18.711.01 ohne Valven - without blades
sans valves - sin valvas - senza valve

Wundspreizer, cerv. Wirbelsäule
Retractors, Cervical Spine
Ecarteurs, colonne cervicale
Separadores, columna espinal
Divaricatori, spina cervica

PROFIT[®]
Surgical Instruments



CASPAR
18.720.00 compl.
18.720.15 ohne Valven - without blades
sans valves - sin valvas - senza valve



CASPAR
18.721.00 compl.
18.721.15 ohne Valven - without blades - sans valves - sin valvas - senza valve

Wundsperrer, ges. Wirbelsäule
 Retractors, vertebral Column
 Ecarteurs, colonne vertébrale
 Separadores, columna vertebral
 Divaricatori, colonna vertebrale



CASPAR
 18.724.00 compl.
 18.724.11



stumpf
 blunt
 mousse
 roma
 smussa

mm	CASPAR
45x23	18.716.45
50x23	18.716.50
55x23	18.716.55
60x23	18.716.60
65x23	18.716.65



medial

mm	CASPAR
40x23	18.718.40
45x23	18.718.45
50x23	18.718.50
55x23	18.718.55
60x23	18.718.60



lateral

mm	CASPAR
40x23	18.719.40
45x23	18.719.45
50x23	18.719.50
55x23	18.719.55
60x23	18.719.60

Wundspreizer
 Retractors
 Ecarteurs
 Separadores
 Divaricatori

PROFIT[®]
 Surgical Instruments

18.745.40
 40 mm



18.745.45
 45 mm



18.745.50
 50 mm



18.745.55
 55 mm



18.745.60
 60 mm



18.745.65
 65 mm



18.745.70
 70 mm



CASPAR

18.744.00 compl incl. 5 Valven · blades
 valves · valvas · valve

18.744.17 ohne Valven · without blades · sans valvas · sin valvas · senza valve



18.747.45
 45 mm

18.747.50
 50 mm

18.747.55
 55 mm

18.747.60
 60 mm

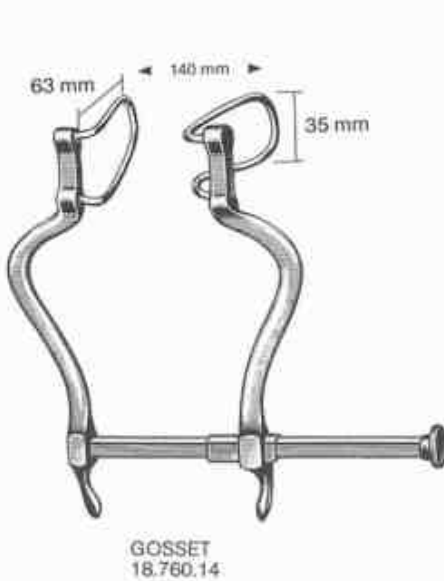
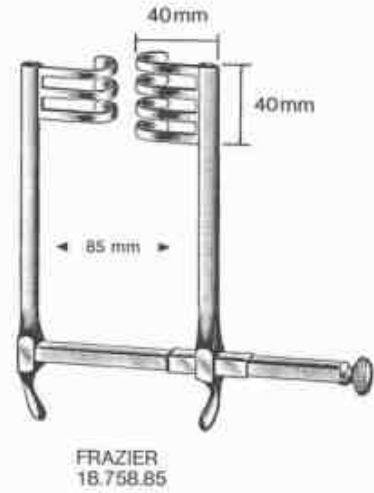
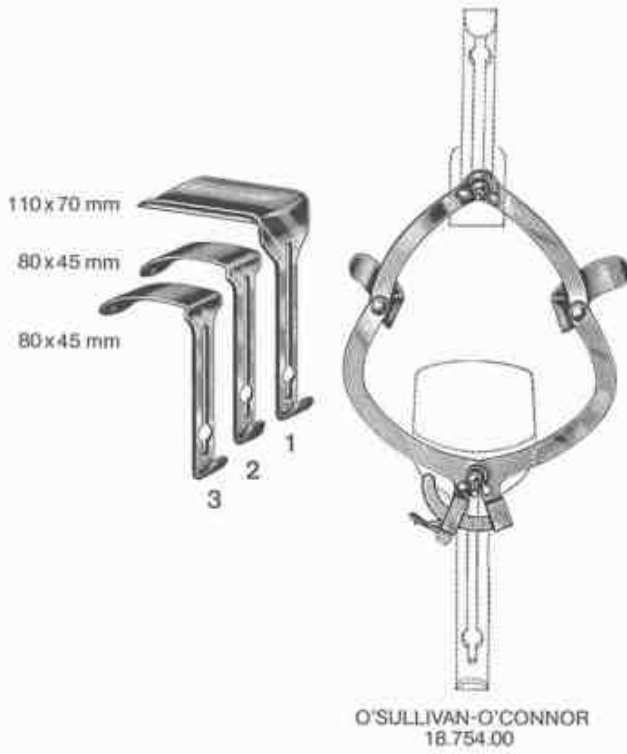
18.747.65
 65 mm



CASPAR
 18.747.45-18.747.65

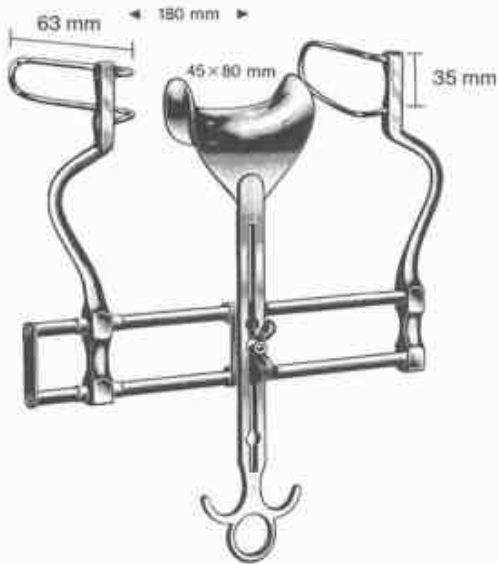
Bauchdeckenhalter
 Abdominal Retractors
 Ecarteurs abdominales
 Separadores abdominales
 Divaricatori addominali

PROFIT[®]
 Surgical Instruments

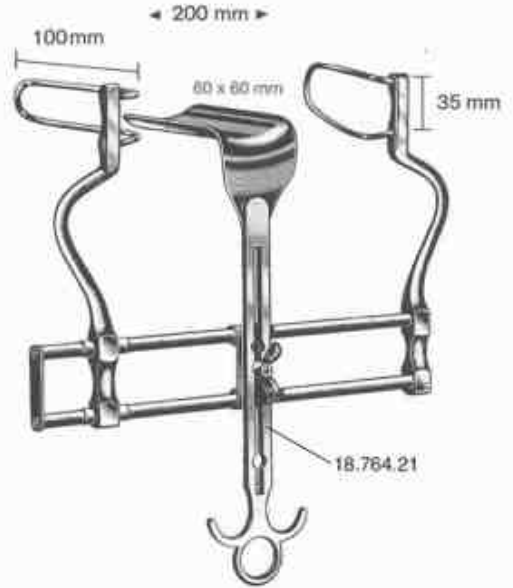


Bauchdeckenhalter
 Abdominal Retractors
 Ecarteurs abdominales
 Separadores abdominales
 Divaricatori addominali

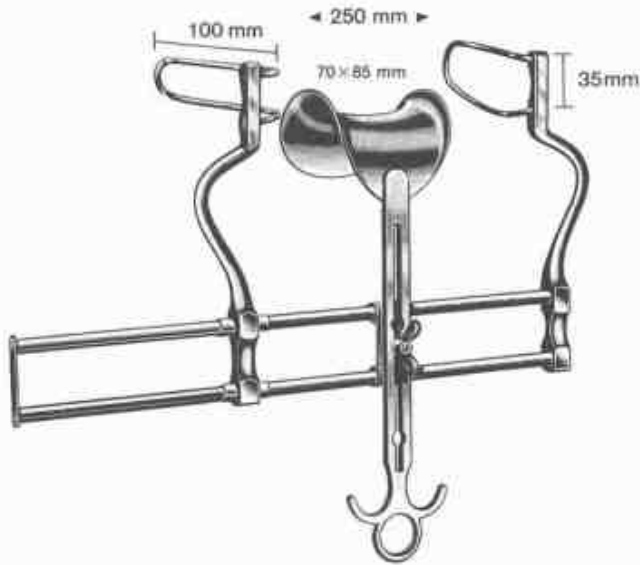
PROFIT[®]
 Surgical Instruments



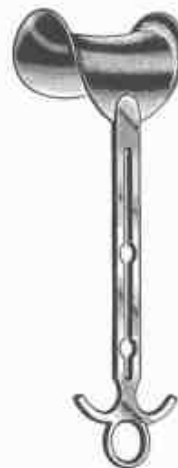
BALFOUR
 18.764.18
 18 cm



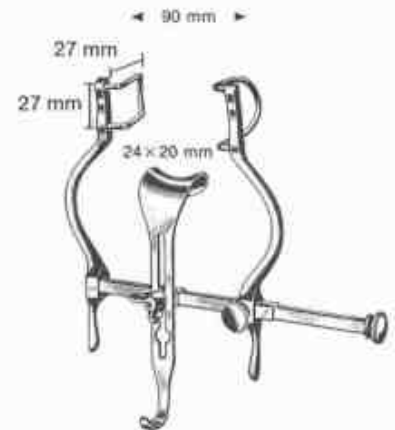
BALFOUR
 18.764.20
 20 cm



BALFOUR
 18.764.25
 25 cm



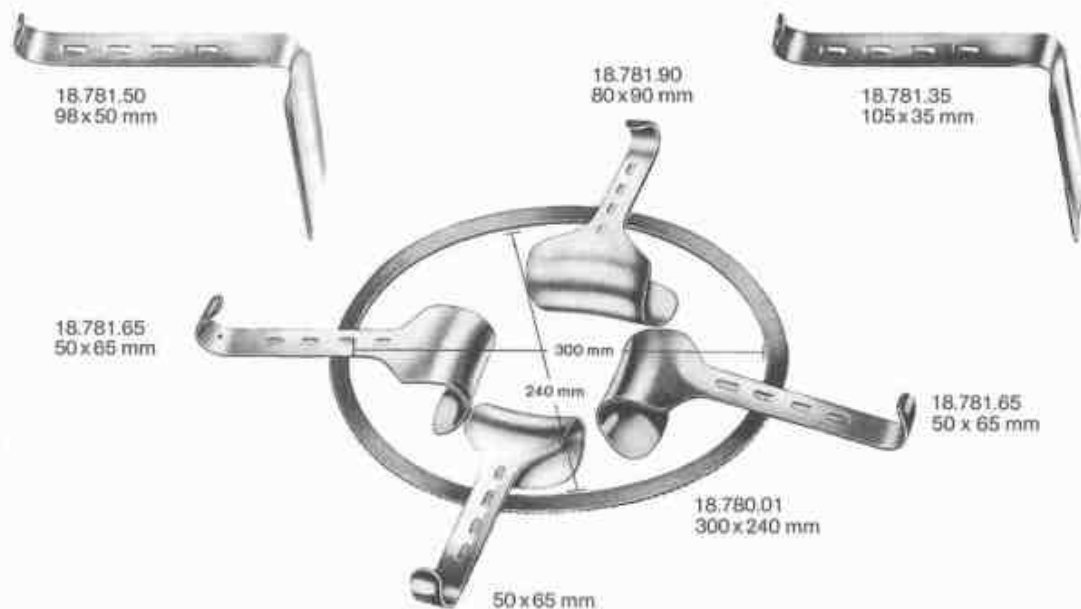
mm	BALFOUR
45 x 80	18.765.45
70 x 85	18.765.70
80 x 90	18.765.80



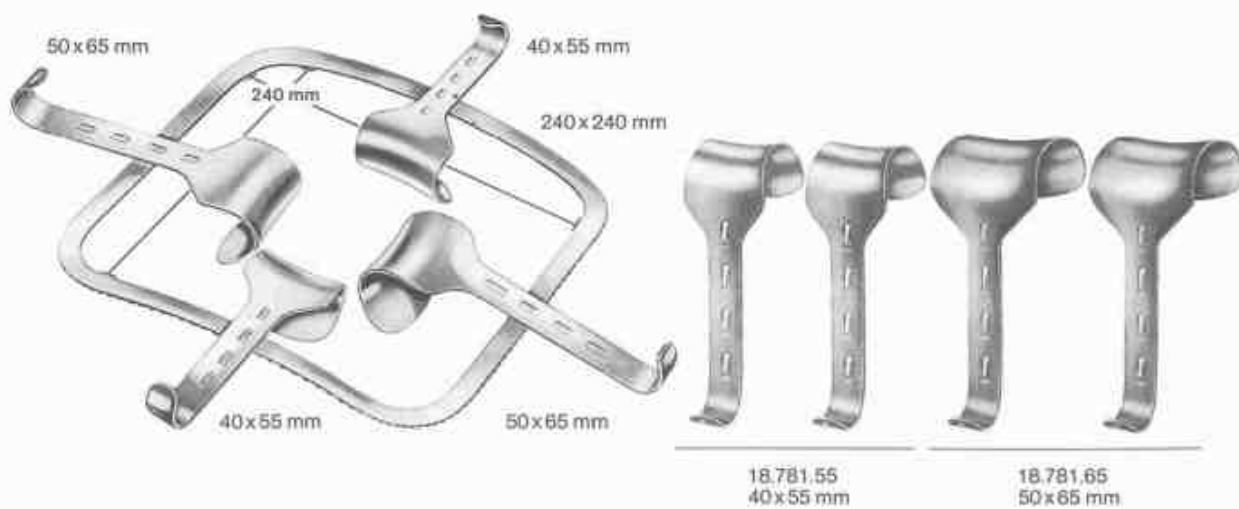
BALFOUR Baby
 18.766.90
 9 cm

Bauchdeckenhalter
 Abdominal Retractors
 Ecarteurs abdominales
 Separadores abdominales
 Divaricatori addominali

PROFIT[®]
 Surgical Instruments



KIRSCHNER
 18.780.00 compl.



KIRSCHNER
 18.782.00 compl.

Bauchdeckenhalter
 Abdominal Retractors
 Ecarteurs abdominales
 Separadores abdominales
 Divaricatori addominali

PROFIT[®]
 Surgical Instruments



cm	GELPI
9	18.802.09
14	18.802.14
16	18.802.16
18	18.802.18



GELPI
 18.804.18
 18 cm



RIGBY
 18.806.18
 18 cm



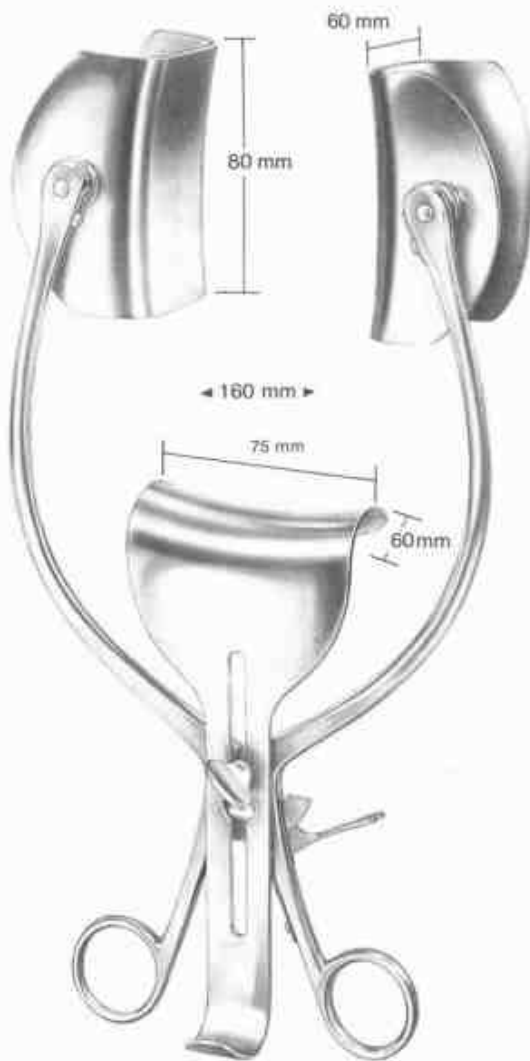
COLLIN
 18.810.22



Central/mm	COLLIN
38 x 55	18.812.60
50 x 75	18.812.80

Bauchdeckenhalter
Abdominal Retractors
Ecarteurs abdominales
Separadores abdominales
Divaricatori addominali

PROFIT[®]
Surgical Instruments



COLLIN Loktite
18.816.00

Muskelhaken
Muscle Retractors (Hooks)
Ecarteurs musculaires
Separadores (ganchos) musculares
Divaricatori (uncini) muscolari



18.902.10
10 cm



18.903.00